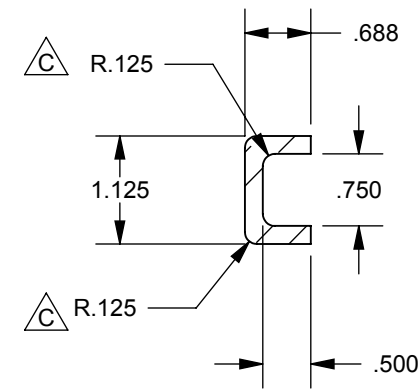
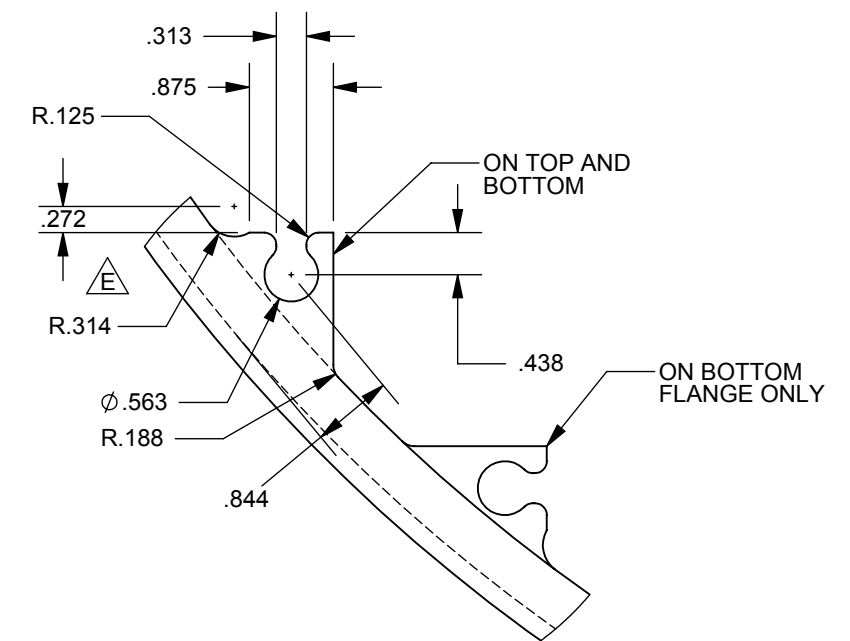
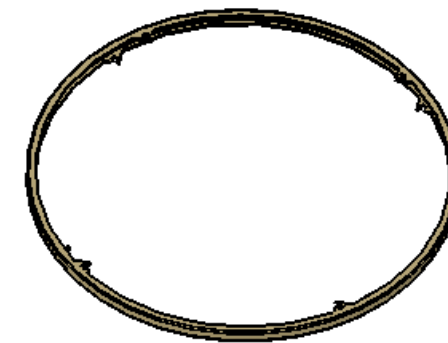


SECTION A-A



DETAIL B  
SCALE 1 : 2



DETAIL C  
SCALE 1 : 2

THIS PART MUST COMPLY WITH  
21CFR177.2600 INCLUDING:

FORMULATION (c),  
DISTILLED WATER EXTRACTION TESTING (e),  
n-HEXANE EXTRACTION TESTING (f)

40-50 DUROMETER  
BLEACHED FLOUR WHITE

REV.	ECO NO	DESCRIPTION	BY	DATE
E	00.018.034	Changed Corner Radius	LRG	12/12/2012
D	00.007.995	Added FDA note	RAP	2/21/2011
C	002-381	ADDED RADII DIMENSIONS	RAP	9/3/2008
B	002-341	ADDED 'PUZZLE' STYLE TABS	RAP	8/18/2008
A		INITIAL RELEASE	KLB	1/30/2008



THIS DRAWING IS THE SOLE PROPERTY OF GREAT WESTERN MFG. CO. INC. AND IS PROTECTED UNDER ALL APPLICABLE COPYRIGHT LAWS. THIS DRAWING MAY NOT BE REPRODUCED WITHOUT PRIOR WRITTEN PERMISSION. WE RESERVE THE RIGHT TO MAKE IMPROVEMENTS OR CHANGES. THIS DRAWING IS LOANED SUBJECT TO RETURN ON DEMAND.

UNLESS OTHERWISE NOTED DIMS. ARE IN INCHES AND TOLERANCES ARE AS FOLLOWS:  
MACHINING ±.003 WELDING ±.060 ANGLES ±1°  
FORMING ±.015 ASSEMBLY ±.060

MODELED BY: KLB DATE: 1/30/2008  
CHECKED BY: DATE:  
DESCRIPTION: 40 DUROMETER  
MATL: GASKET NEOPRENE WHITE  
MATL #: PURCHASED

DESCRIPTION:  
Gasket Ring  
37"OD Tray Ring 1/2"X3/4" Tubing White Neoprene  
QA36

SIZE B	SCALE: 1:8	DRAWING NUMBER: 272-920-160	REV E
-----------	---------------	--------------------------------	----------

QA46 Gasket Ring 2.212 SHEET 1 OF 1